



OXDALE PRODUCT LTD



**OPERATING AND MAINTENANCE MANUAL
TM400 AND TM400 BIG BASE LOG SPLITTER**



KEEP FOR FUTURE USE

CONTENTS

Safety	3
Labels	5
Quick Guide	6
In Depth Instructions	8
Operating Instructions	12
Post Operating Checks and Maintenance	14
Warranty Information	16
Technical Specifications	17
Declaration of Conformity	18
Contact Details	19

SAFETY

OXDALE PRODUCTS REQUIRES THAT ANYONE OPERATING OR MAINTAINING THE LOG SPLITTER SHALL READ AND UNDERSTAND ALL SAFETY, OPERATION AND MAINTENANCE DATA CONTAINED IN THIS USER MANUAL BEFORE USING THE LOG SPLITTER

The log splitter is an attachment for tractors.

IT IS FOR SINGLE PERSON USE ONLY.

Hydraulic action provides the force to drive a splitting wedge into a log. Never operate the log splitter if unauthorized persons are in the area, especially small children. Hazards associated with log splitting may be pinch points, splinters, eye injury and entanglement.

YOU ARE RESPONSIBLE FOR THE SAFE OPERATION AND MAINTENANCE OF THE LOG SPLITTER. THE MOST IMPORTANT SAFETY DEVICE ON THE EQUIPMENT IS A SAFE OPERATOR.

- Never put hands or fingers between the wedge and the log to be split or near moving parts. Always stop the machine before cleaning it or making adjustments.
- The operator should wear suitable PPE including eye protection, gloves and safety boots. Close fitting clothing should be worn to reduce the risk of entanglement. The safety decals and other labels on the machine are shown on the following page.

Notes

- Never stand either side of the log splitter whilst operating. Logs can sometimes split apart violently e.g. due to knots. Stand in front of the machine to minimise risk from falling debris.
- Never hold the top of the log whilst setting in place or splitting.
- Never split two logs on top of each other.
- The log splitter is very powerful but some hard or wet wood can be difficult to split. Do not force the wedge as this could cause injury to yourself and cause damage to the log splitter.
- Never let children operate machinery.
- Do not leave machinery unattended whilst it is running.
- Both ends of each log should be cut as square as possible to help prevent the log from riding out of the splitter. This is also aided by the three holes in the log platform having raised edges to reduce the risk of slipping.
- Always choose a working area free from obstructions and then keep the working area free from obstructions such as logs and split wood.
- Machine is for **single person operation only using both hands on the operating lever.**
- Operate splitter on solid ground level.
- The log splitter is designed only for splitting wood. Using it for any other purpose may damage it and be dangerous to the user and others.
- Ensure that the machine is stable at all times when in use and is stored safely when not in use in a dry place.

RELATED PRODUCTS

Sawbench

Available as Electric (240v) or PTO.

Electric – Swinging cradle, 600mm blade, cuts logs up to 10” diameter.



PTO – Grizzly 700R has a swinging cradle, suitable for logging, balanced blade for smooth and efficient cutting, 700mm blade which cuts logs up to 12” diameter.



Log Grab

Available in two sizes (42cm and 70 cm log diameter.)

Rear Mounted Crane

Ideal for lifting and moving heavy items behind your tractor and is available with or without lifting chains and timber grab.



LABELS

The TM400 log splitter should have the following labels attached. If any safety decals are missing or illegible they should be replaced immediately.

SAFETY LABELS



WARNING NOTICES

WARNING!

“Danger! Keep clear of moving parts!”

“To be operated by one person only!”

“Wear hearing protection!” (except electric machines)

“Read instruction manual before use!”

Other Information

Manufacturer	Oxdale Products Unit 20 – 21 Foxwood Road Off Sheepbridge Lane Chesterfield S41 9RF
Year of Construction	
Machinery Type	TM400
Mass of Machine	
Serial Number	
Max. Hydraulic Oil Operating Pressure	

QUICK GUIDE

Before First Use

Before the log splitter can be used for the first time

- Fit the log splitter to the tractor.
- Connect the hydraulic hoses to the tractor.
- Grease the ram collar.
- Set the pressure release valve.

Pre Operation Checklist

It is important for both personal safety and maintaining the good mechanical condition of the log splitter that this checklist is followed.

- Grease the slider every ten hours of operation and pre/post season.
- Check that all hydraulic fittings and connections are tight and in good condition.
- Check for damaged, worn and missing parts and replace if necessary.
- Replace missing or illegible safety decals.

Operating Instructions

- Position the log splitter on solid, level ground when operating.
- Apply the tractor brake securely and place the transmission into neutral/park.

Oxdale Products
Units 20 – 21 Foxwood Road
Off Sheepbridge Lane
Chesterfield
Derbyshire
S41 9RF

Tel: 01246 529020

Email: sales@oxdaleproducts.co.uk

Web: www.oxdaleproducts.co.uk



Registered Address:

Oxcroft Stables
30 Oxcroft Estate
Stanfree
Derbyshire
S44 6AU
Company Number: 6490139 England & Wales

B5

DECLARATION OF CONFORMITY FOR CE MARKING

Company contact details:

Oxdale Products Ltd (formerly CS Trading), Stanfree Farm,

Low Rd, Clowne, Derbyshire. S43 4LQ. UK

Registered address:

Oxcroft Stables, 30 Oxcroft Estate, Bolsover, Derbyshire. S44 6AU. UK

Telephone:

01246 529020

07813 111885

Technical file compiled by:

Brian Thurman, Cobweb Cottage, 43 Main Road, Higham, Derbyshire. DE55 6EH. UK

Oxdale Products Ltd declares that the product:

Oxdale TM400 log splitter

Conforms with the following EU Directives:


Directive 2006/42/EC Machinery

And conforms with the following EU Harmonised Standards:

EN 609-1:1999

Name of signatory: Chris Butcher

Position of signatory: Director

Signed:  Dated: 20/1/2013 Place: Stanfree

- Using both hands lift the handle to lower the ram and lower the handle to raise the ram.
- Operate the ram to lift the wedge above the height of the log which is to be split.
- Position the centre of the log under the wedge. Move the wedge until contact is made with the log.
- Keep two hands on the control levers when splitting the log. The speed can be controlled with how much pressure you put on the control valve.
- Stop splitting if the log starts to move sideways and reposition the log as per the instructions above.
- Should the wedge lodge or become stuck in the log, return the wedge to the fully open position and gently rock the log free before continuing.

Post Operating Checks and Maintenance

- Periodically wipe the log splitter down with a damp cloth to keep it free from debris.
- The log splitter wedge may need to be sharpened, this can be done by using a file.

Storage and Transportation

- The TM400 can be stored in a vertical or horizontal position.
- The log splitter should be stored in a dry location.
- The log splitter should be stored in a safe location where it will not get knocked over.
- The TM400 can be transported in a horizontal or vertical position and should be securely strapped.

IN DEPTH INSTRUCTIONS

Before First Use

Fitting the Unit to the Tractor

The log splitter is designed to fit a cat 1 / cat 2 tractor. This can be on the front or the back. The log splitter should be fitted to the tractor so that it is level when positioned at the required working height.

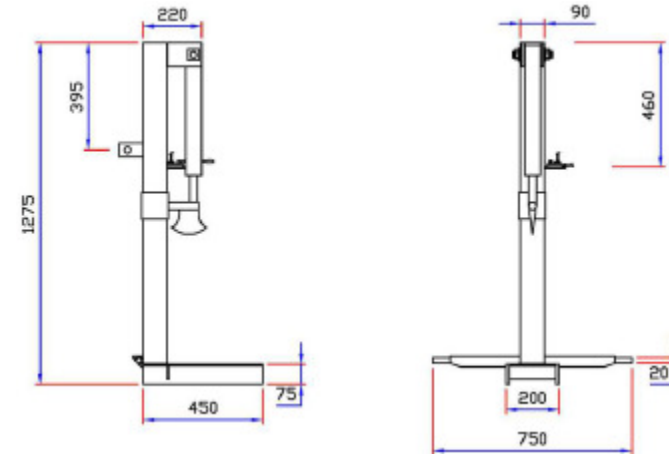
Connect the Hydraulics to the Tractor

Observe the operating instructions issued by the manufacturer of the vehicle that the log splitter has been attached to. The log splitter has been designed to have a constant flow supply and a free-flowing return.

Return



TECHNICAL SPECIFICATIONS TM400



Log Splitter	TM400		
Weight	64kg		
Tractor Mounting	Cat 1 / 2		
		Spool Block	MB2
Ram		Max Cont. Pressure	250 bar 3600psi
Max Pressure	4780psi 330 bar	Max Peak Pressure	320 bar 4600psi
Ram Bore Diameter	60mm	Max Back Pressure on Port T	30 bar 430psi
Ram Stroke	400mm	Port Marked P	Pressure Line
Ram Rod Diameter	40mm	Port Marked T	Exhaust Line
		Relief Valve Setting	220 bar 3150psi

Noise will vary according to the tractor used and so hearing protection should be worn.

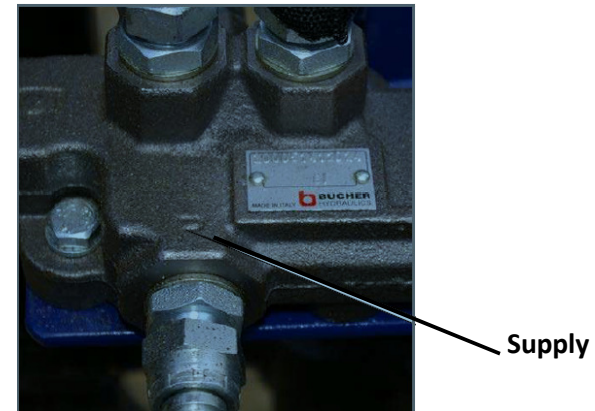
WARRANTY INFORMATION

Warranty claims which arrive because of incorrect operation, insufficient maintenance or the use of non – approved consumables e.g. lubricants and hydraulic oils will not be accepted by the manufacturer.

Only original Oxdale parts may be used. When ordered replacement parts please provide the model name and number. Pressure adjustments to the valves must only be carried out by Oxdale authorised dealers.

No liability is accepted for damage caused by Oxdale products in so far as they are caused by incorrect repairs or the non – use of original Oxdale replacement parts or in so far as repairs have not been carried out by Oxdale or a pre – authorised specialist, The same applied to auxiliary parts and accessories.

All warranty claims are on a return to manufacturer basis.



The flow and return pipes have been fitted with male ½” quick release couplings. The supply pipe is connected to the control valve and is marked “P.” The free flowing return is marked with a “T.” Connecting these pipes the wrong way round can damage the control valve.

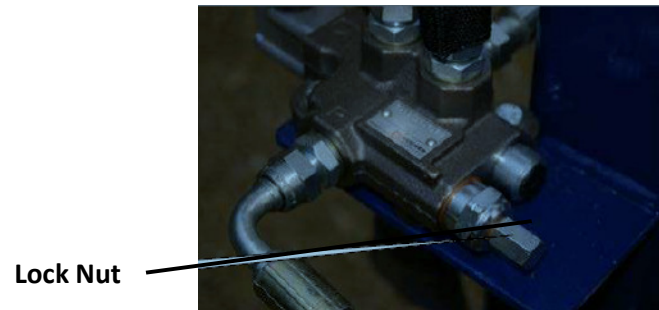
Greasing

The ram collar needs to be greased where it slides down the guide. This will help to reduce the friction and help the unit run more smoothly. This needs to be carried out every 10 hours or alternatively at the start of each day.

Setting the Pressure Relief Valve

Before using the log splitter for the first time you must set the at relief pressure on the control valve as indicated in the user - manual for the vehicle being used to supply the hydraulic pressure.

We would recommend that this should be set at 100 – 200psi below the maximum continuous pressure supplied by the pump.



Lock Nut

To set the relief pressure you will need to have set the unit up on the tractor and have the pipes plugged in correctly.

1. Fit a pressure gauge in line on the supply side of the control valve.
2. Set the desired revs on the tractor.
3. Remove the lock nut.
4. Using an allen key, rotate the adjuster clockwise to increase the relief pressure and anti clockwise to decrease the relief pressure.
5. With the ram fully retracted push the control handle down. This will fully load the system. Check what pressure is indicated on the valve and release the handle.

Please be aware that hoses and fittings can become very hot from heavy use and should be checked with caution. Place your hand near the connection to sense for heat before touching the connection. If the area is hot you should allow it to cool down before touching any heated connections.

Greasing

Keep the collar guide of the unit greased. This will help the log splitter to run more smoothly.



GREASE THE COLLAR GUIDE

POST OPERATING CHECKS AND MAINTENANCE GUIDE

The machine must be switched off before any cleaning or adjustments are carried out. The removal of wood chips etc from the unit and the removal of contaminated grease from the wedge collar is strongly advised.

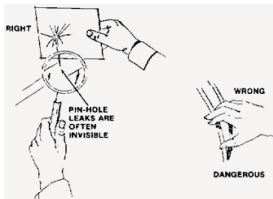
Sharpen the wedge as and when required. This can be done with a file.

Check for any loose bolts or any other damage at regular intervals.

The TM400 can be stored in a horizontal or vertical position but should be stored in a dry location and in a safe place to avoid the machine being knocked over.

Hydraulic System

Periodically check the hydraulic oil level with the gauge on the side of the unit and top if required.



Check for oil leaks, worn hoses and loose fittings. The pressure in the hydraulic system can exceed 2000 PSI. Reinforced hoses can develop pin hole leaks and hydraulic connections can vibrate loose. Hydraulic leaks may be

hard to see. Never check for leaks with your hand as the high pressure can inject oil under the skin. This is a medical emergency and if this happens immediate medical attention must be sought.

6. Adjust and repeat step 5 until the required pressure is obtained.
7. Replace the locking nut.
8. Remove the pressure gauge and re fix the pipe work.
9. Check all of the fittings are tight.



Adjuster

OPERATING INSTRUCTIONS

The log splitter is designed for splitting logs only AND IS FOR SINGLE PERSON USE. It can handle logs no bigger than 450mm and having a diameter no bigger than 900mm and no smaller than 75mm in diameter.

Only persons who are competent to do so and having read this manual, in full, should use the log splitter.

Before using the log splitter for the first time each day a visual inspection should be carried out, taking note of any damage and leakages and ensure that they are fully repaired before use.

When operating the unit, it should be positioned on solid and as far as possible, level ground. Wheel blocks should be used to prevent movement of the machine. Both hands should be kept on the handle when the ram is being extended and retracted. Lifting the handle will extend the ram and lowering the handle will retract the ram.



With both hands on the handle, lift to lower the wedge.

The handle will return itself to the neutral position when not lifted or lowered. In this position, there will be no movement of the wedge.



Lowering the handle will lift the wedge.

Pick the log to be split. This should have been cut square at both ends. This is very important as it will reduce the chance that the log will slip.

Position the log under the wedge with the point of the wedge in the centre of the log, place both hands on the handle and lift to lower the wedge into the log.

Stop lowering the wedge if the log starts to go sideways and reposition. If the wedge gets stuck, return the wedge to the fully open position and rock the log free before continuing.

When splitting wood always stand in front of the unit and not to the side as logs can split with some force and be thrown off the unit to the sides. Always keep other people and pets/animals out of the area when splitting logs.